



Tempest®2400 MasterBelt

2-Channel QuickStart Guide

What's in the box

MasterBelt

- MasterBelt
- Li-Poly rechargeable battery
- 3.5mm to 3.5mm 3 conductor data pairing cable
 - » Used to pair a BaseStation to the BeltStation(s)
- USB-A to Mini-USB
 - » Used to update MasterBelt or BeltStation firmware
- 5VDC wall charger with Mini USB connector
- CD with manual

What else you may need

- Headset, one for each user
 - » May be dynamic or electret microphone, with a 4-PIN XLR female connector

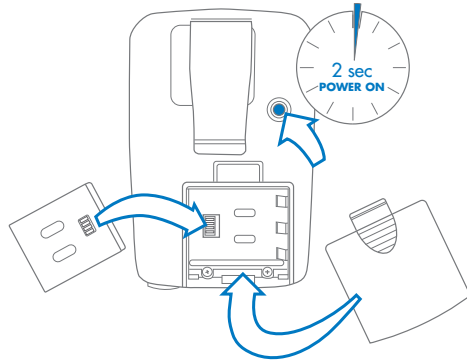
Important things you need to know

- ✓ Tempest 2400 operates in the 2400 to 2483 MHz frequency spectrum.
- ✓ Tempest® MasterBelts and BeltStations are shipped with a default RF configuration. It is highly recommended that you change your system from the default to ensure proper RF performance especially in the presence of other Tempest systems.
- ✓ A BeltStation must be paired with a MasterBelt for any communication to take place. Pairing should be done AFTER the default RF configuration is changed on the BaseStation.
- ✓ Charge the MasterBelt and BeltStation batteries prior to starting set-up.



1 Power ON the MasterBelt

- Slide the battery door off by pressing down and back.
- Install the battery or (3) AA batteries and replace the battery door.
- Press and hold the ON/OFF button for two seconds; the MasterBelt will vibrate as it powers up.
- Power the MasterBelt OFF by pressing and holding the ON/OFF button for four seconds.



2 Selecting the RF band

- The first time you power up the MasterBelt, you will be prompted to “select an authorized band for your location”.
- There are seven RF bands that use different parts of the 2.4GHz spectrum.
- Scroll to an appropriate band for your location and press Enter to select.
- Press MENU to return to the operational screen.



Band 1 is appropriate for most, but not all, locations worldwide (US is band 1). Some countries require that you use a limited portion of the 2.4GHz band. It is the user’s responsibility to ensure that you select a band that is permitted for use in your location.

Band	MHz			Avoid 802.11b/g
	Start	End	Wide	
1	2400	2480	80	None
2	2400	2450	50	11
3	2423	2473	50	1
4	2431	2480	49	1,2
5	2400	2428	28	7,8,9,10,11
6	2423	2450	27	1,11
7	2453	2480	27	1,2,3,4,5,6,7

3 Changing the Default RF Configuration

From the front of the MasterBelt, follow the steps below :

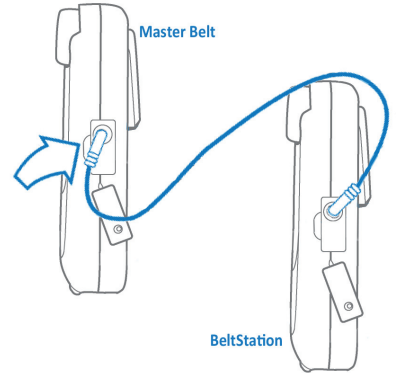
1. Press MENU (Main Menu).
2. Scroll to Belt Settings and press ENT.
3. Scroll to Tech Menu and press ENT.
 - » A warning message will appear; press ENTER to proceed.
4. Press ENTER for Radio Configuration.
5. Press ENTER for Network Number and use scroll knob to select a network number other than zero and press ENTER to save setting.
6. Press MENU to return to previous menu; scroll to Lockout Key and use scroll knob to select a lockout key other than 255 and press ENTER to save setting.
7. Press MENU repeatedly until you get back to the Operational screen.
8. Power the MasterBelt OFF; wait 10 seconds and power the MasterBelt ON again.



If you have multiple, collocated MasterBelts, ensure that you select different network numbers for each MasterBelt configuration to help prevent interference between units. See Reference Manual for more details.

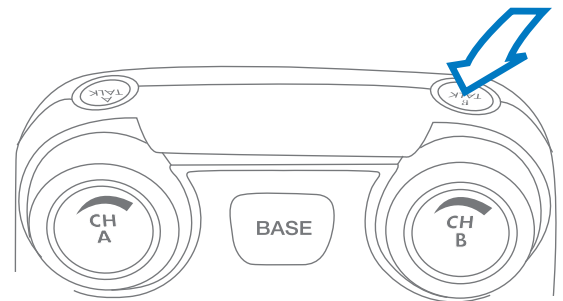
4 Pair BeltStations to the MasterBelt

- Confirm the MasterBelt is powered ON.
- Confirm the BeltStation is powered OFF.
- Connect the 3.5mm data pairing cable from the MasterBelt to the BeltStation.
- Power ON the BeltStation while observing the BeltStation LCD screen; the BeltStation will vibrate and “Pairing Complete” will appear momentarily on the LCD screen if pairing was successful.
- The BeltStation will return to the operational screen and log into the MasterBelt.
- The BeltStation will appear in the first available slot (1-5) on the MasterBelt LCD screen.
- Repeat for each BeltStation.



Note: MasterBelts and BeltStations are named to their default setting name. They can be renamed.

5 Start Communicating



- Plug a headset into MasterBelt and each BeltStation.
- To set Mic Gain, Press MENU and scroll down to Set Controls.
- Scroll to Mic Gain and Press ENTER.
- Use the scroll knob to set the Mic Gain for the headset that you are using; speak loudly into the microphone until you have reached a desirable setting. The blue TALK LED will flash red to indicate clipping. Press ENTER to save at desired setting.
- Select the desired communication channel by pressing the A or B channel knob.
- Adjust the headset listening volume by turning the A or B rotary control.
- Press the TALK button to talk to others on the selected channel (the blue TALK LED will remain lit when talk is enabled on that channel)
- Confirm the desired talk channel and talk status by observing the MasterBelt and BeltStation LCD screen.