



PROLYTE PRODUCTS

Read this manual carefully and understand all of it's contents before you assemble the Stage DEX.



ASSEMBLY MANUAL FOR PROLYTE STAGE DEX

Version 2, May 2010

PART 2 OF 2

PROLYTE PRODUCTS GROUP
Industriepark 9
9351 PA Leek, The Netherlands
phone : +31 (0)594 85 15 15
fax : +31 (0)594 85 15 16
e-mail : info@prolyte.com
website : www.prolyte.com

CONTENTS

1. PREFACE.....	2
2. TECHNICAL SPECIFICATION	3
3. ASSEMBLY INSTRUCTIONS.....	4
4. TRANSPORT AND STORAGE.....	5
5. MAINTENANCE AND REJECTION	5
6. APPROVED ACCESSORIES	5
7. INSPECTION.....	5
10. MAINTENANCE AND DISCARD CRITERIA	5
11. LEGISLATION.....	5

Copyright Restrictions

The contents of this manual are property of Prolyte Products Group and are protected under Dutch copyright statutes. Reproduction or redistribution is prohibited without the express written consent of the Prolyte Products Group. Photos and illustrations should not be used without permission. Contact info@prolyte.com to obtain permission. However, under the doctrine of "fair use" limited copying of text is permitted without prior approval for teaching and research purposes. In those cases, Prolyte Products Group requests the courtesy of citation. Use of the Prolyte Products Group logos is prohibited without written permission.

1. PREFACE

At all times this manual shall be used in conjunction with the Part 1 "General manual for Prolyte structural elements". Where there is deviation of information, Part 2 is superseding Part 1.

This manual has been written for all the users of the Prolyte Stagedex. Make sure that you read and understand this manual completely before using this system. This manual shall be available for everyone assembling, disassembling or loading the Stagedex.

SCOPE:

Prolyte stagedex is modular framework with different types of top surface to be used as raised platform for purposes of displaying, performances etc...

IDENTIFICATION:

Make sure only Prolyte original components are used. This can be identified by the ID tag or embossed Prolyte text and logo on machined parts. In case of doubt please contact you distributor or Prolyte.

Missing Identification will lead to end of warranty.

LIMITATIONS OF USE:

Due to its nature the wooden toppings can contract and expand depending on the relative humidity of the

environment they are used in. Design, calculations and tolerances are based on environmental humidity between 22% and 42 %. At a temperatures between 18 en 26 0C . Exceeding these numbers might cause problems and will exceed limitations of use and therefore product warranty.

NOTE:

Never use Stagedex with wooden topping of any kind without appropriate protection against environmental influences outdoors

Prolyte Stagedex with rectangular shapes with dimensions up to 200x100cm on 4 legs up can be used to carry loads up to 750kg/m². All other elements might have restricted load capacity which than will be shown on the Identification on the product. The maximum horizontal load is set at 10% of the maximum total vertical load

Maximum uniformly distributed loading and maximum point load as well as the required loading of handrails depends often on the local codes applicable and whether the system has restricted use or has general public access. They might supersede the data and capacity provided by Prolyte. It is the task of the user to check and comply to local requirements.

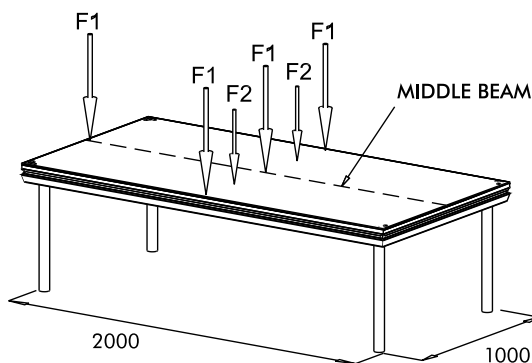
In general :

- In case of restricted use and use as working platform a railing with a capacity of 30kg/m¹ at 100cm above Stagedex level is sufficient.
- In case of general public access a railing of 100kg/m¹ at 100cm above Stagedex level is sufficient.


2. TECHNICAL SPECIFICATIONS

Table 1

Stage Dex - Allowable loading for different leg types					
LEG TYPES	UNIFORMLY DISTRIBUTED LOAD kg/m ²				
STAGE HEIGHT IN CM	80 cm	100 cm	120 cm	160 cm	180 cm
tube 48,3 x 4 (EN AW 6060 T5)	500	500	350	350	n.a.
tube 48,3 x 3 (EN AW 6082 T6)	750	500	500	350	n.a.
tube 48,3 x 4 (EN AW 6082 T6)	750	750	500	500	350
tube 48,3 x 3 (ST37)	750	750	500	500	500
tube 40 x 40 x 3 (EN AW 6082 T6)	500	500	500	350	n.a.
tube 40 x 40 x 2 (ST 37)	500	500	500	350	350
Telescopic leg	stage height 450mm-1400mm 350-750 kg/m ²				
n.a. = not allowed all data based on a standard deck of 2 x 1 m					
Calculated with 1/10 of the vertical load transferred into a horizontal load (conform DIN 4112 / EN 13814)					
Loading types					
uniformly distributed load	750 kg/m ²				
pointload F1	350 kg				
pointload F2	210 kg				
pointload F3	500 kg				
the pointload should be applied to a minimum area of 50 x 50 mm. pointload to be placed as indicated on drawing. 1 pointload total allowed.					



F1 = Point load 350 kg min. 50 x 50 mm
F2 = Point load 210 kg min. 50 x 50 mm




PROLYTE PRODUCTS
STAGING - RIGGING - TRUSSING

date

welder

type

This item must be used within the limits of the structural report. Made in the Netherlands.





Technical Specifications Stage Dex	
Types	standard, standard arched, basic
Frame	Aluminium (EN AW 6005A T6)
Topping	Plywood
Legs	48,3 x 3 mm (EN AW 6082 T6)
Legs with adustable feet	48,3 x 3 mm (EN AW 6082 T6), with steel spindle on pvc base
Telescopic leg	48,3 x 4 / 60 x 5 mm (EN AW 6082 T6)
Max. load	750 kg/m ² UDL
Self weight	37 kg

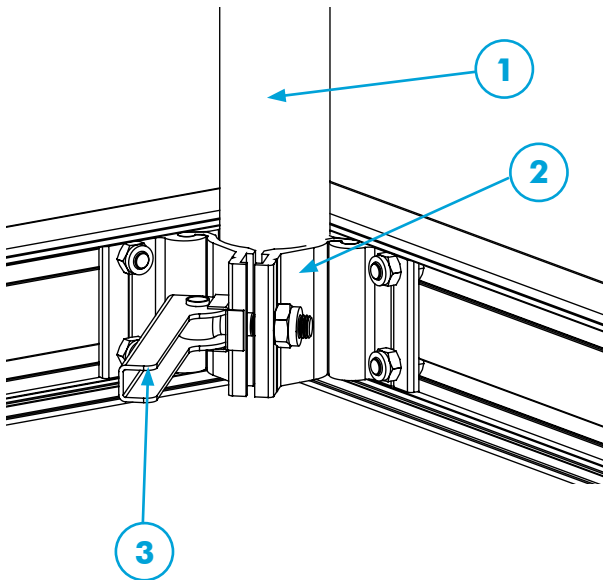
3. ASSEMBLY INSTRUCTION

TOOLS NEED:

- ALLEN KEY SIZE 6
- ALLEN KEY SIZE 10
- LEVELER
- WRENCH SIZE 17

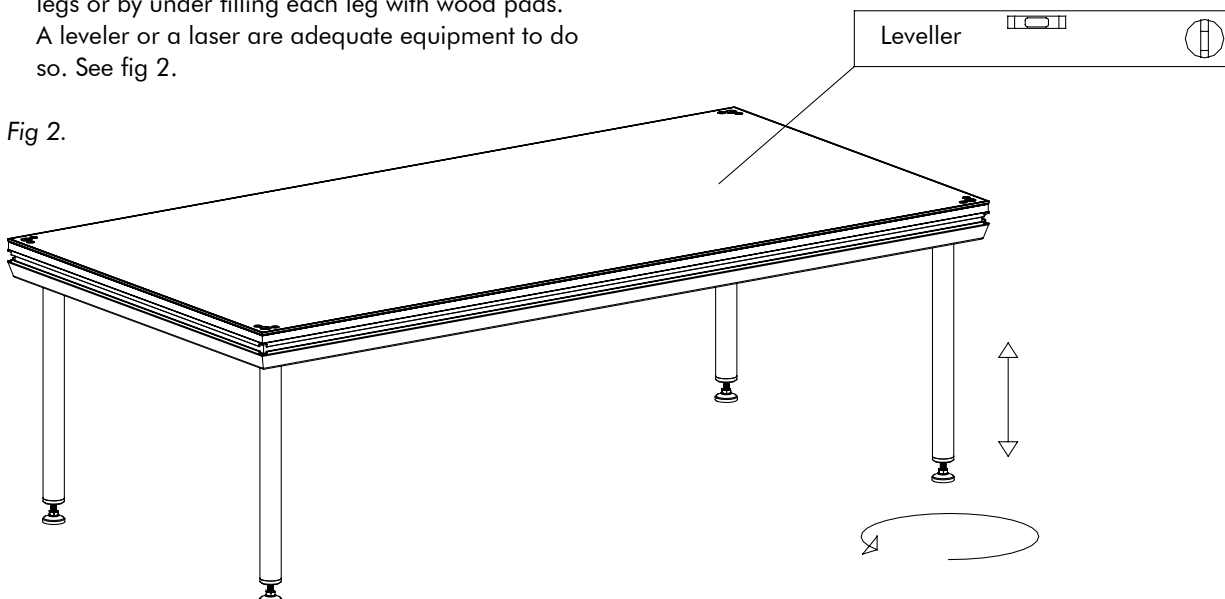
1. Put the required leg type (fig. 1 item 1) in the leg adapter (fig. 1 item 2) at the underside of the deck frame
2. Tighten the leg by pulling the handle (fig. 1 item 3)
3. Do this at all 4 positions
4. Tip the deck over and put it in the right position

Fig 1.



5. Level the deck by adjusting the screw jacks of the legs or by under filling each leg with wood pads. A leveler or a laser are adequate equipment to do so. See fig 2.

Fig 2.

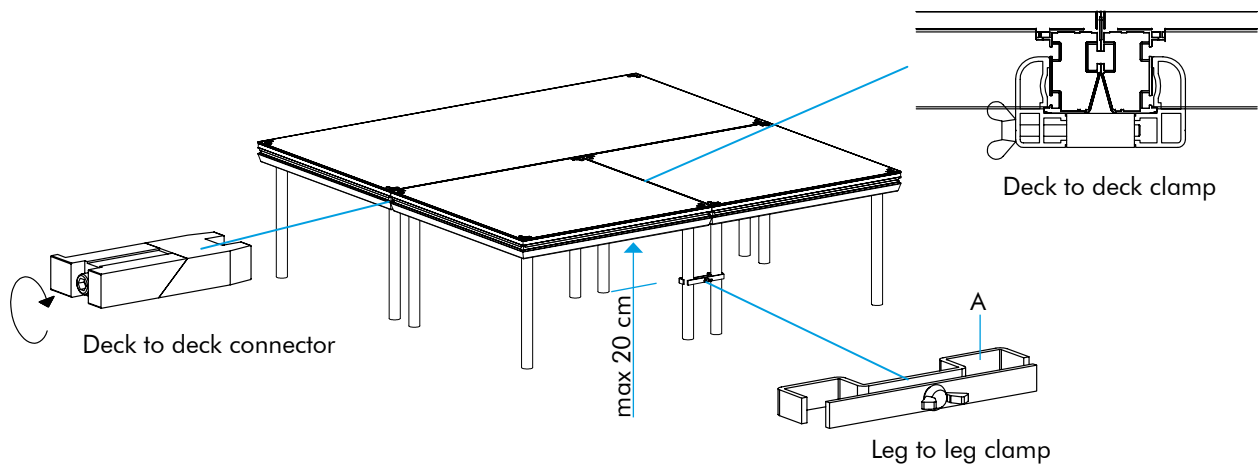


6. Connect each deck element by using one of the following accessories, see fig 3 on page 5.
 - a) SM-ACC-CLP-01 Leg to Leg clamp. Use 2 clamps on a set of 4 legs. Position them max. 20cm underneath the dex.
 - b) SM-ACC-CLP-03 Deck to Deck clamp. Use 2 clamps per deck, one on the short edge one on the long edge. Position the in the middle of each side.
 - c) SM-ACC-CON-02 Deck to Deck connector. Use 2 connectors per deck. One in each free slot at the edges.
7. Repeat this as often as required to create the stage size required.
8. Connect now all accessories like railings and stairs needed.

NOTE

Check all connections, legs and the overall stability before loading the stage.

Fig 3.



4. TRANSPORT AND STORAGE

As per Part 1 and additionally;

Transport all components on pallets, dollies or flight cases when moving from one location to another. Damaging can occur easily by transporting parts. Damaged parts will negatively influence the working and structural integrity of the system

Store all components in such a way that they are free from dust and environmental influences.

For the ease of handling store Stagedex bottom up.

5. MAINTENANCE AND REJECTION

As per Part 1 and additionally;

Keep the system free from all kinds of dirt and paint. Use warm water and soap to clean parts, Avoid the use of abrasive cleaning materials and fluids.

6. APPROVED ACCESSORIES

For a full list of approved accessories we refer to the product catalogue and/or pricelist which are available via your local dealer or on www.prolyte.com.

WARNING !!

The use of incorrect accessories can lead to personal injuries and severe damage and failure of components and structural elements.

7. INSPECTION

As per Part 1

8. LEGISLATION

Standards used

As per Part 1 and additionally

DIN 15920 Podestarten Teil 11 08/1978

Eurocode 5 Holzbauwerke

Leek, The Netherlands, 2010

M. Hendriks
Technical Director