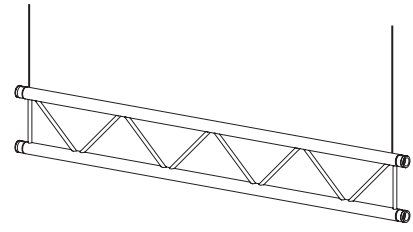




H30L - Allowable Loading (Span supported on top chord.)

SPAN		Uniformly Distributed Load		DEFLECTION		CPL		DEFLECTION	
		UDL				kgs	lbs		
m	ft	kg/m	lbs/ft	mm	inch	mm	inch	mm	inch
1	3.3	992,2	667.6	0	0	992,2	2189.8	0	0
2	6.6	359,0	241.6	1	0.04	389,0	858.5	1	0.04
3	9.8	135,0	90.8	2	0.08	203,0	448.0	2	0.08
4	13.1	52,0	35.0	2	0.08	104,0	229.5	2	0.08
5	16.4	25,0	16.8	3	0.12	62,0	136.8	2	0.08
6	19.7	11,0	7,4	3	0.12	33,0	72.8	2	0.08

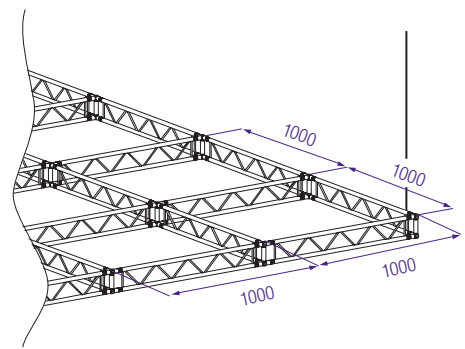


1 inch = 25,4 mm | 1m = 3.28 ft | 1 lbs = 0,453 kg

Spans must be supported at each end.
Loads must be suspended from bottom chord only.

H30L - Allowable Loading (Top chord sideways supported each metre.)

SPAN		Uniformly Distributed Load		DEFLECTION		CPL		DEFLECTION	
		UDL				kgs	lbs		
m	ft	kg/m	lbs/ft	mm	inch	mm	inch	mm	inch
4	13.1	245,8	165.4	17	0.67	724,0	1597.9	13	0.51
5	16.4	196,0	131.9	26	1.02	576,5	1272.3	21	0.83
6	19.6	159,2	107.1	37	1.46	477,7	1054.2	30	1.18
7	23.0	116,2	78.2	51	2.01	406,6	897.5	41	1.61
8	26.2	88,3	59.4	66	2.60	353,0	779.1	53	2.09
9	29.5	69,1	46.5	84	3.31	310,9	686.3	67	2.64
10	32.8	53,3	35.8	100	3.94	277,0	611.3	83	3.27
11	36.1	39,3	26.4	110	4.33	249,0	549.4	100	3.94
12	39.4	29,6	19.9	120	7.72	225,3	497.3	119	4.69

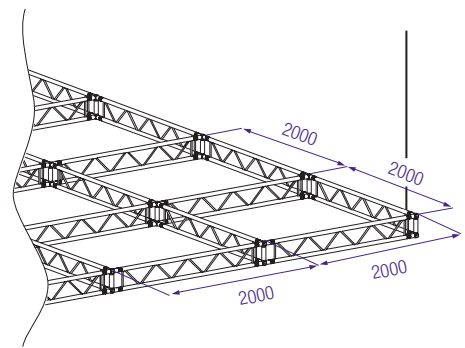


1 inch = 25,4 mm | 1m = 3.28 ft | 1 lbs = 0,453 kg

Spans must be supported at each end.
Loads must be suspended from bottom chord only.

H30L - Allowable Loading (Top chords sideways supported every 2 metres.)

SPAN		Uniformly Distributed Load		DEFLECTION		CPL		DEFLECTION	
		UDL				kgs	lbs		
m	ft	kg/m	lbs/ft	mm	inch	mm	inch	mm	inch
4	13.1	95,0	63.9	4	0.16	190,0	419.3	4	0.16
5	16.4	59,7	40.2	7	0.28	149,3	329.5	6	0.24
6	19.7	40,6	27.3	10	0.39	121,7	268.5	8	0.31
7	23.0	29,0	19.5	14	0.55	101,5	224.0	11	0.43
8	26.2	21,5	14.5	18	0.71	86,0	189.8	14	0.55
9	29.5	16,4	11.0	23	0.91	73,6	162.5	18	0.71
10	32.8	12,7	8.5	28	1.10	63,4	139.9	22	0.87
11	36.1	10,0	6.7	34	1.34	54,8	120.9	27	1.06
12	39.4	7,9	5.3	40	1.57	47,3	104.5	32	1.26



1 inch = 25,4 mm | 1m = 3.28 ft | 1 lbs = 0,453 kg

Spans must be supported at each end.
Loads must be suspended from bottom chord only.